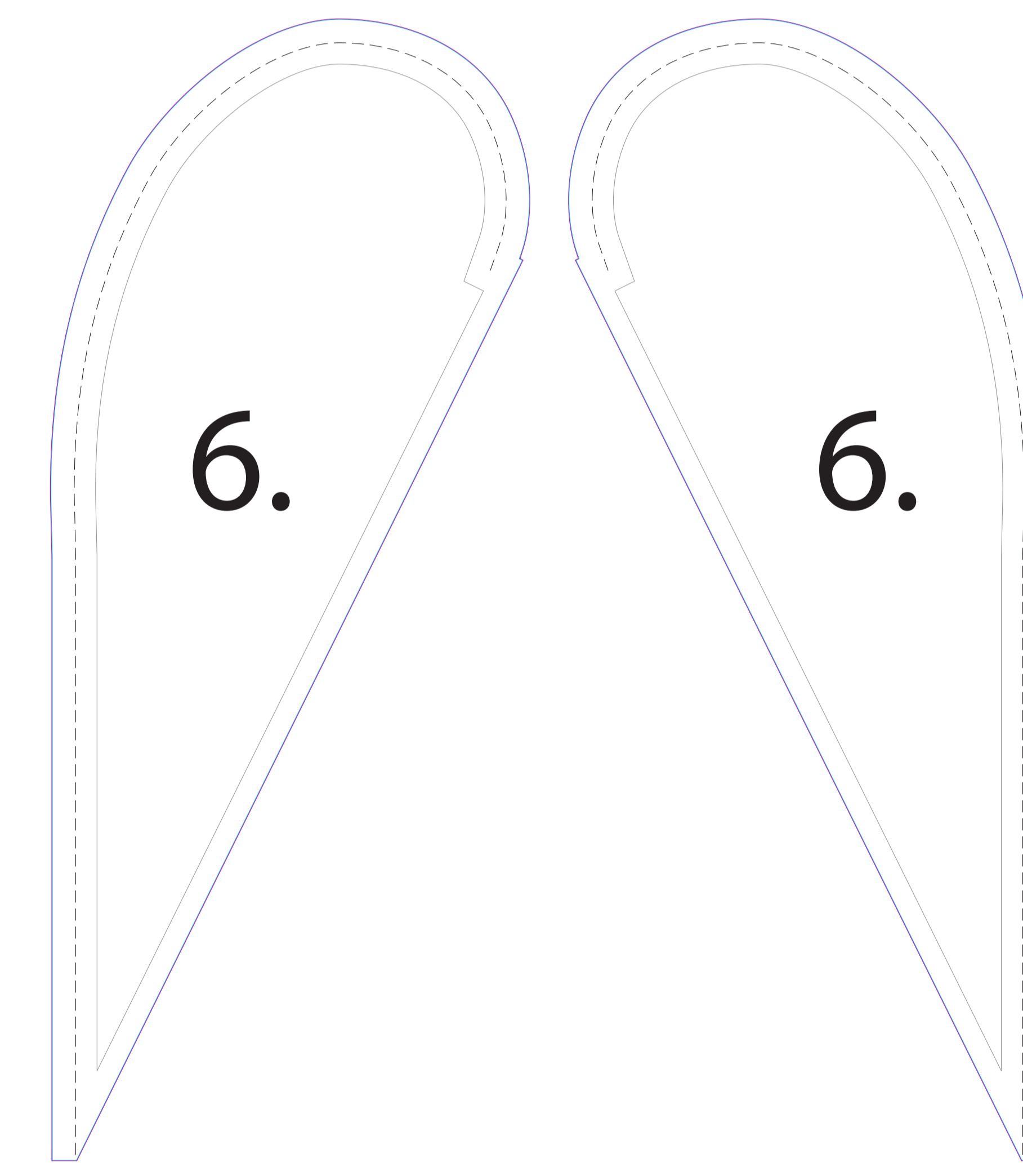
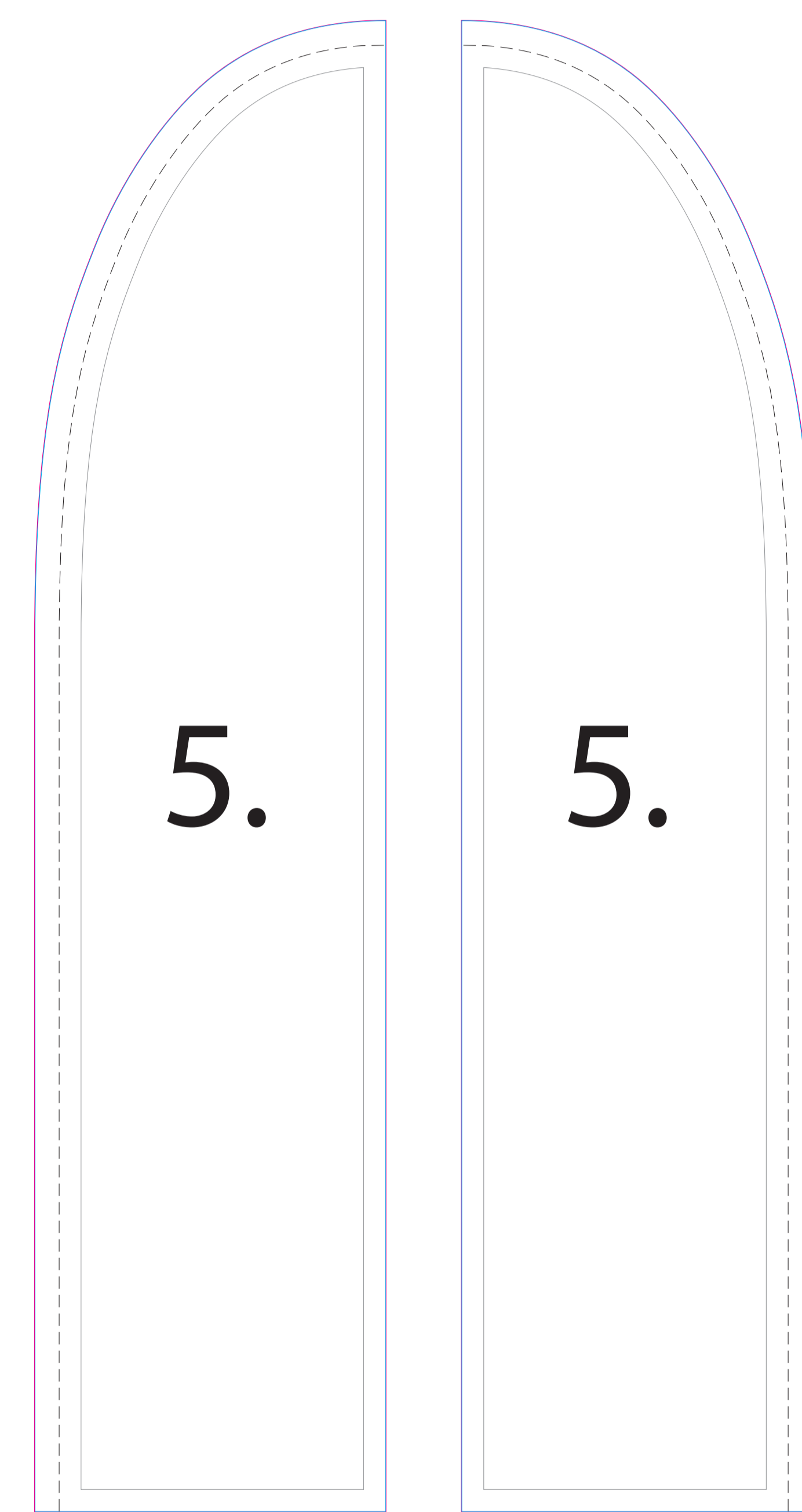
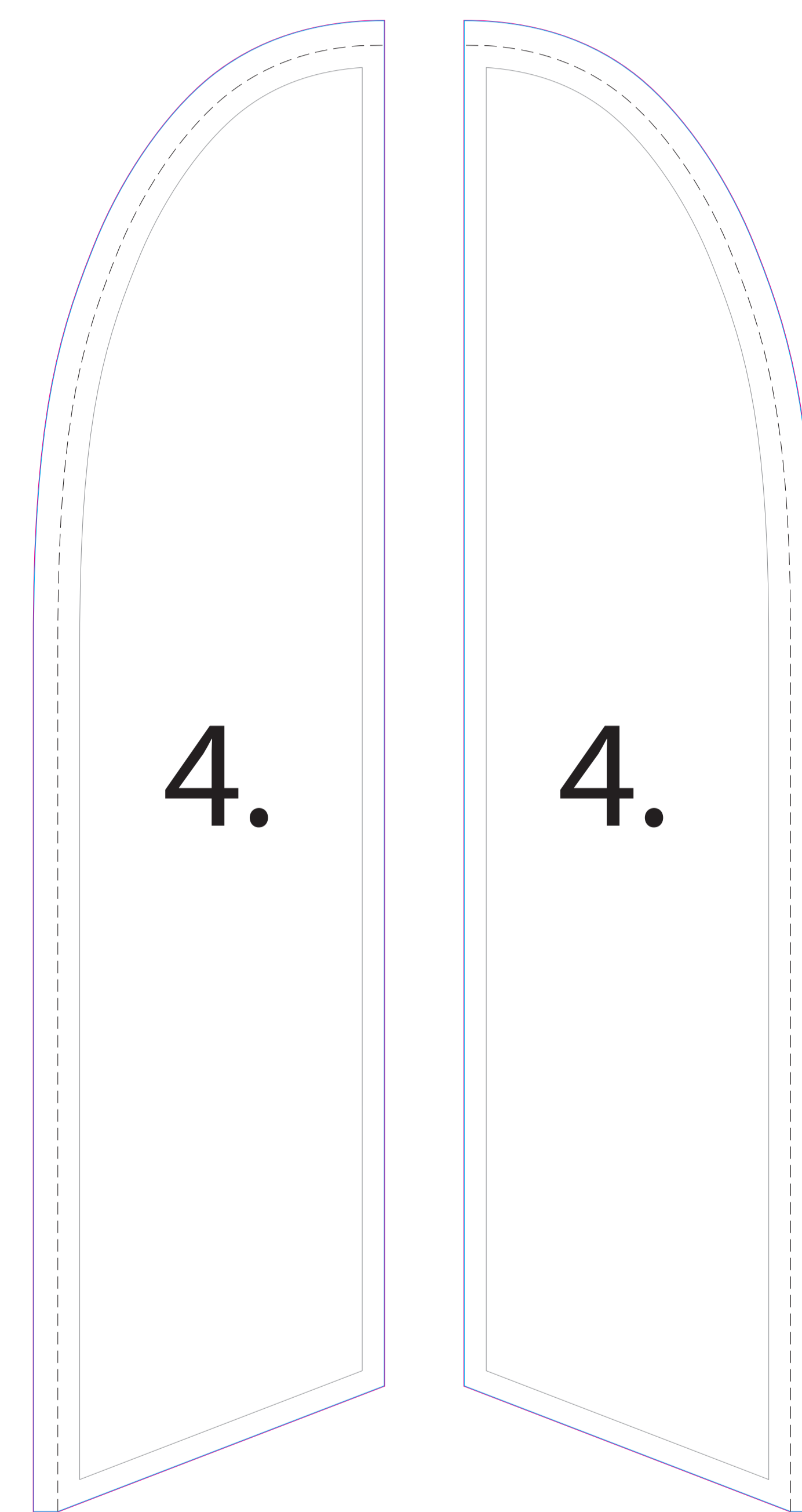
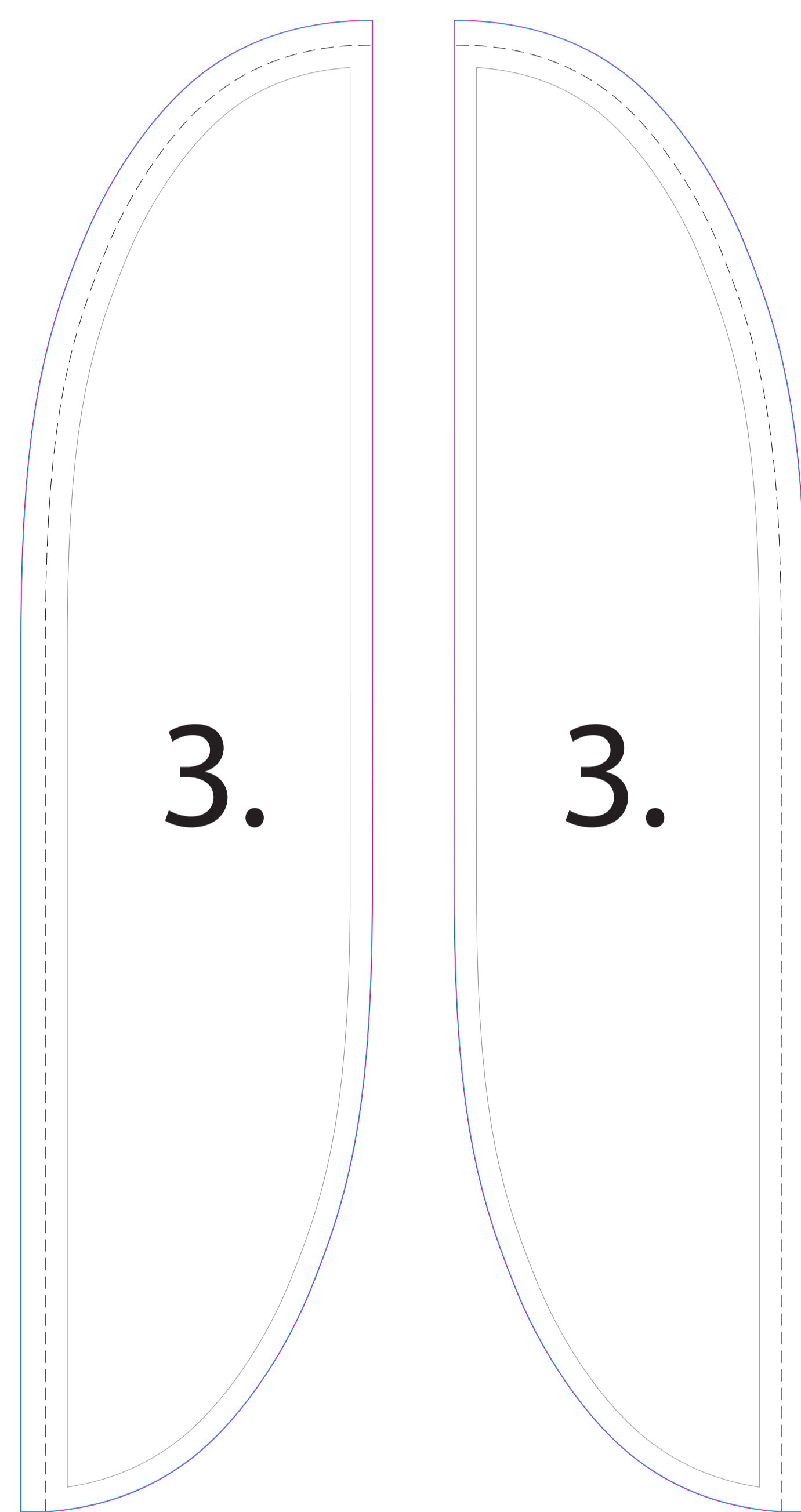
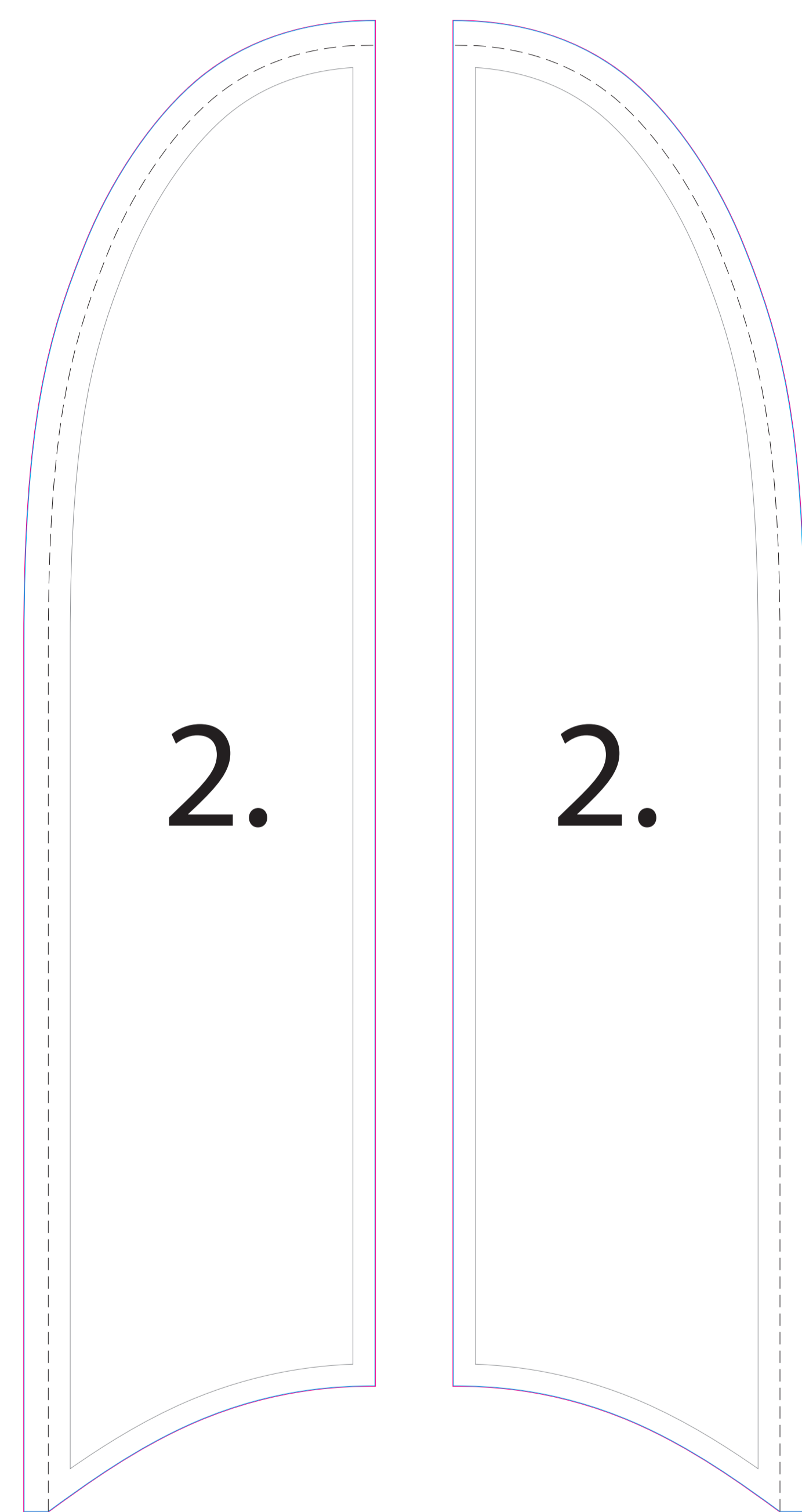
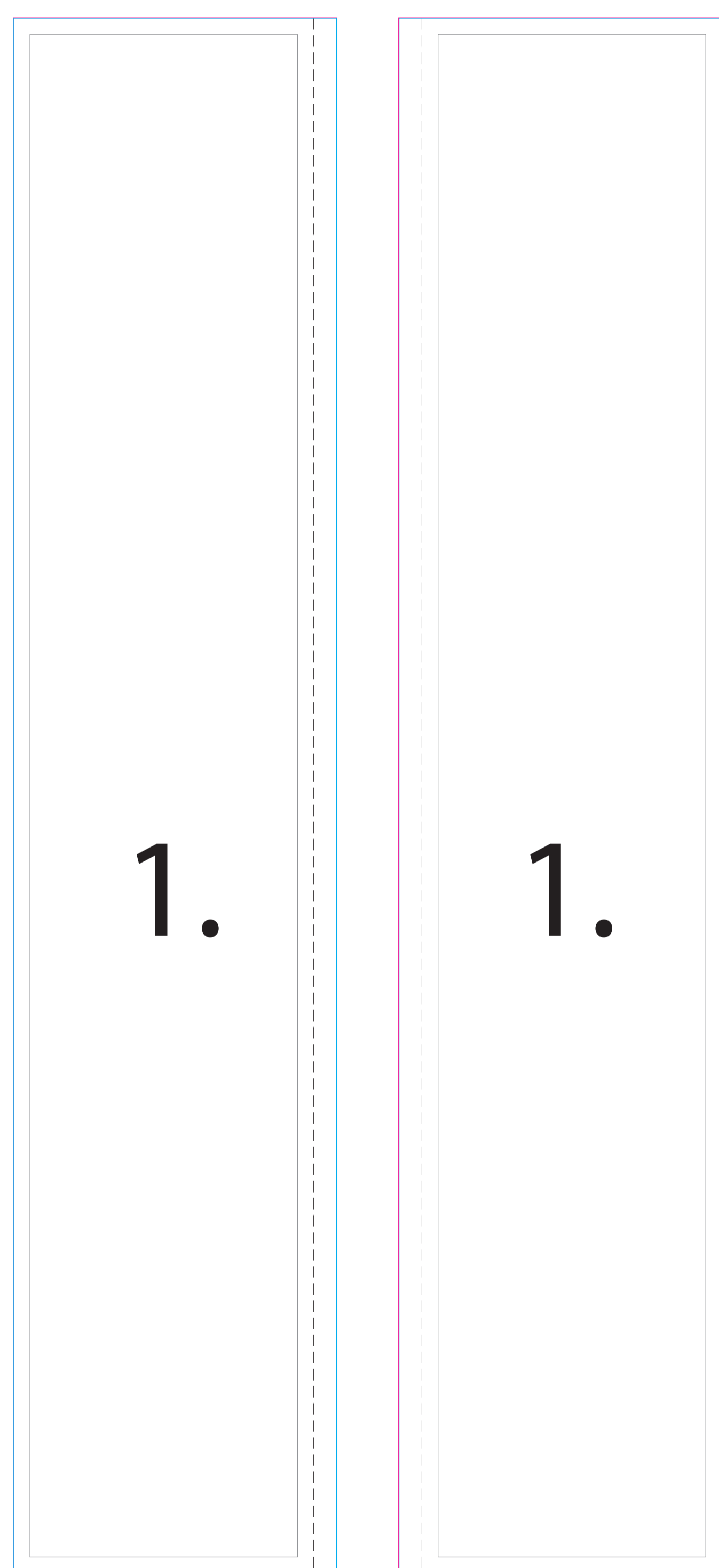


All templates are at 1:10 scale.





Please delete the templates not used.

All templates are at 1:10 scale.

Please delete the templates not used.



1. Rectangle
2. Concave
3. Convex
4. Angled
5. Straight
6. Drop

-  = Text/Image Safety Line
-  = Bleed Line
-  = Finished Size
-  = Stitching Line

Rectangle  
2.6ft (80cm) x 12.6ft (385cm)

Flying Shapes  
2.6ft 80(cm) x 11.2ft (340cm)

Drop  
3.6ft (110cm) x 8.7ft (265cm)

- All artwork needs to be:
- Images: 1000 dpi @ 1:10 ratio
  - Text: completely vectorized
  - CMYK color mode
  - Spot colors (PANTONE) defined
  - Appropriate bleed



Due to the inability to accurately reproduce some PANTONE® colors with CMYK inks, please reference a PANTONE® Color Bridge® book. This will provide a process color simulation for you to review.