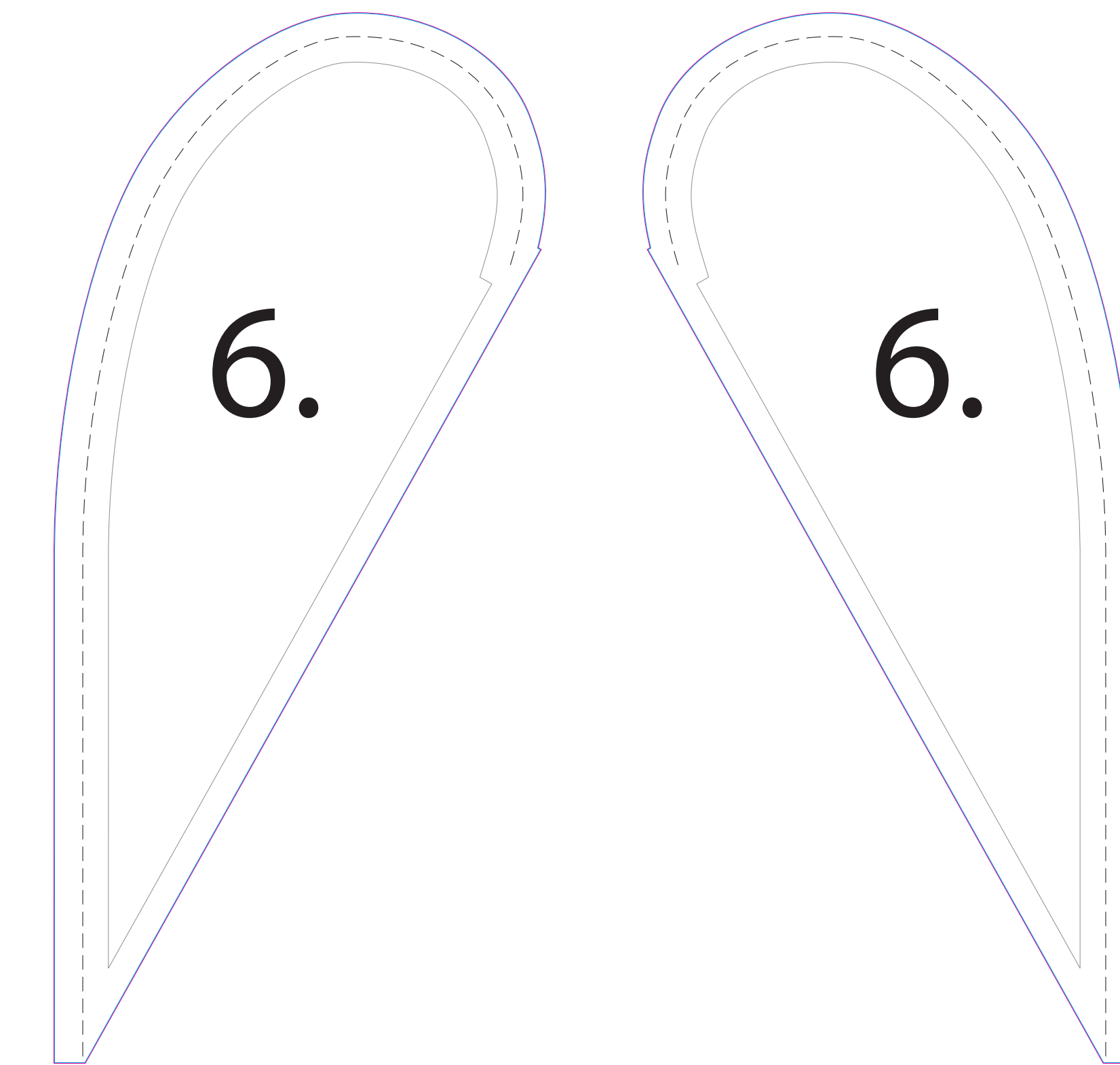
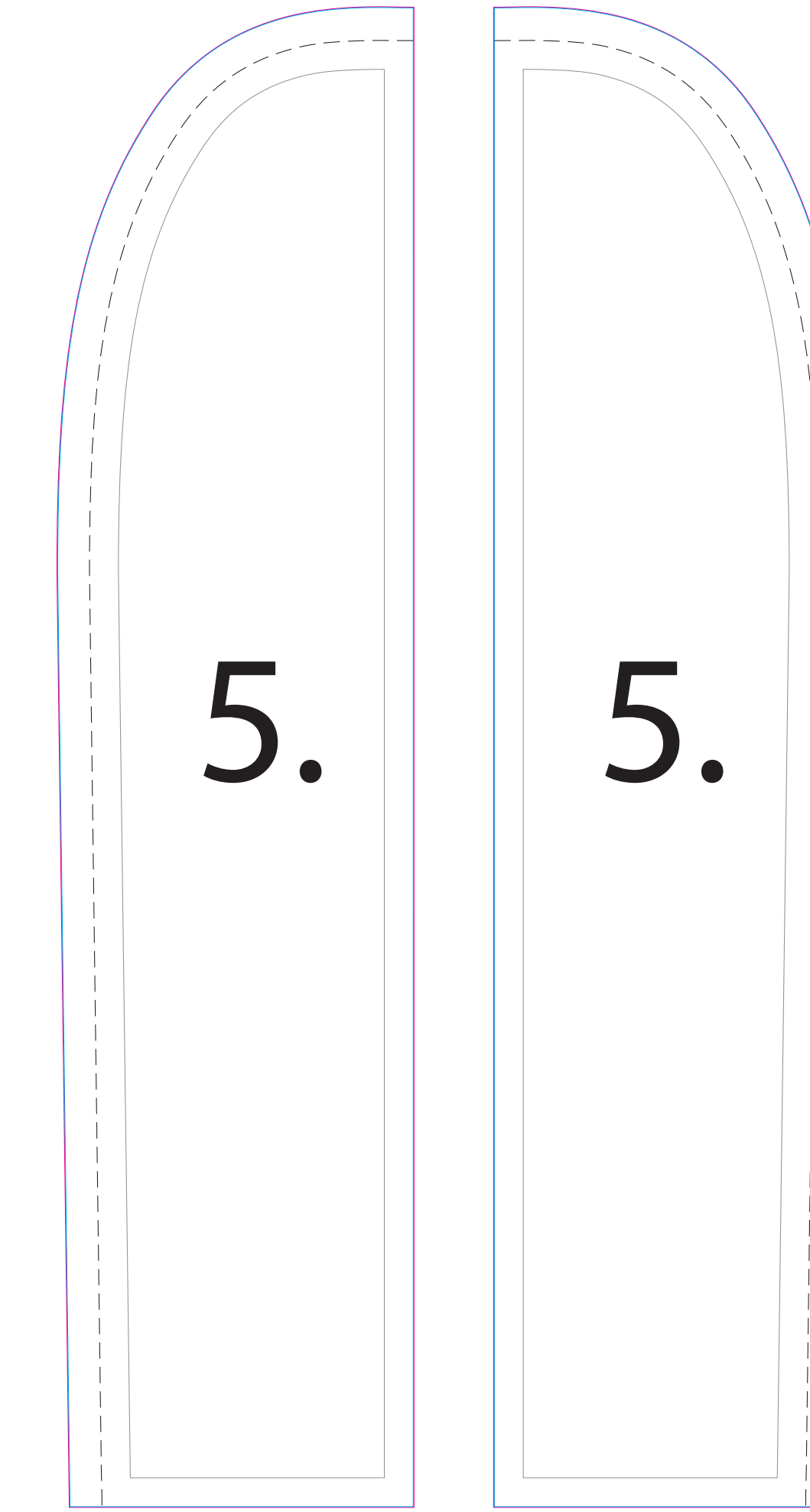
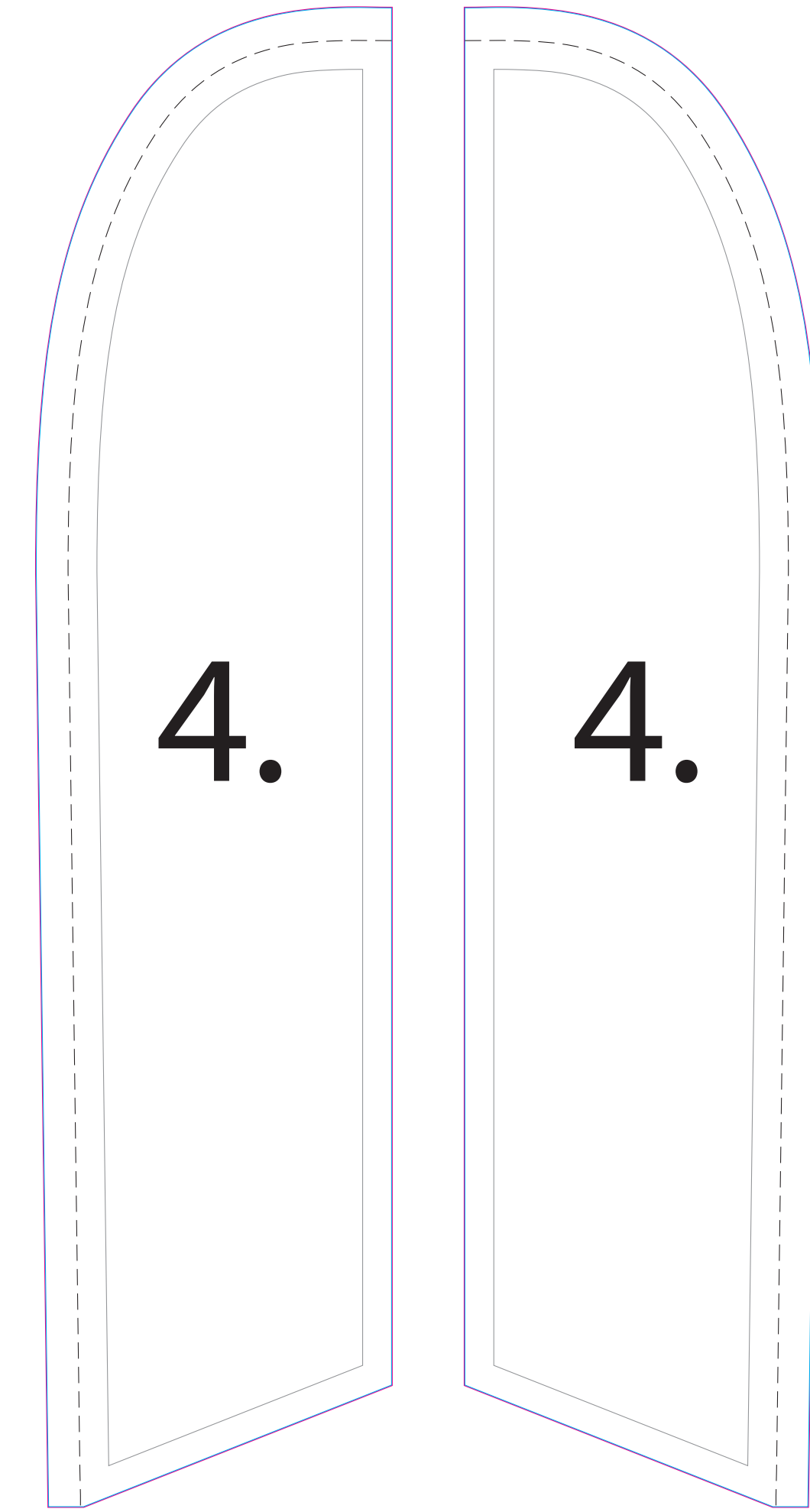
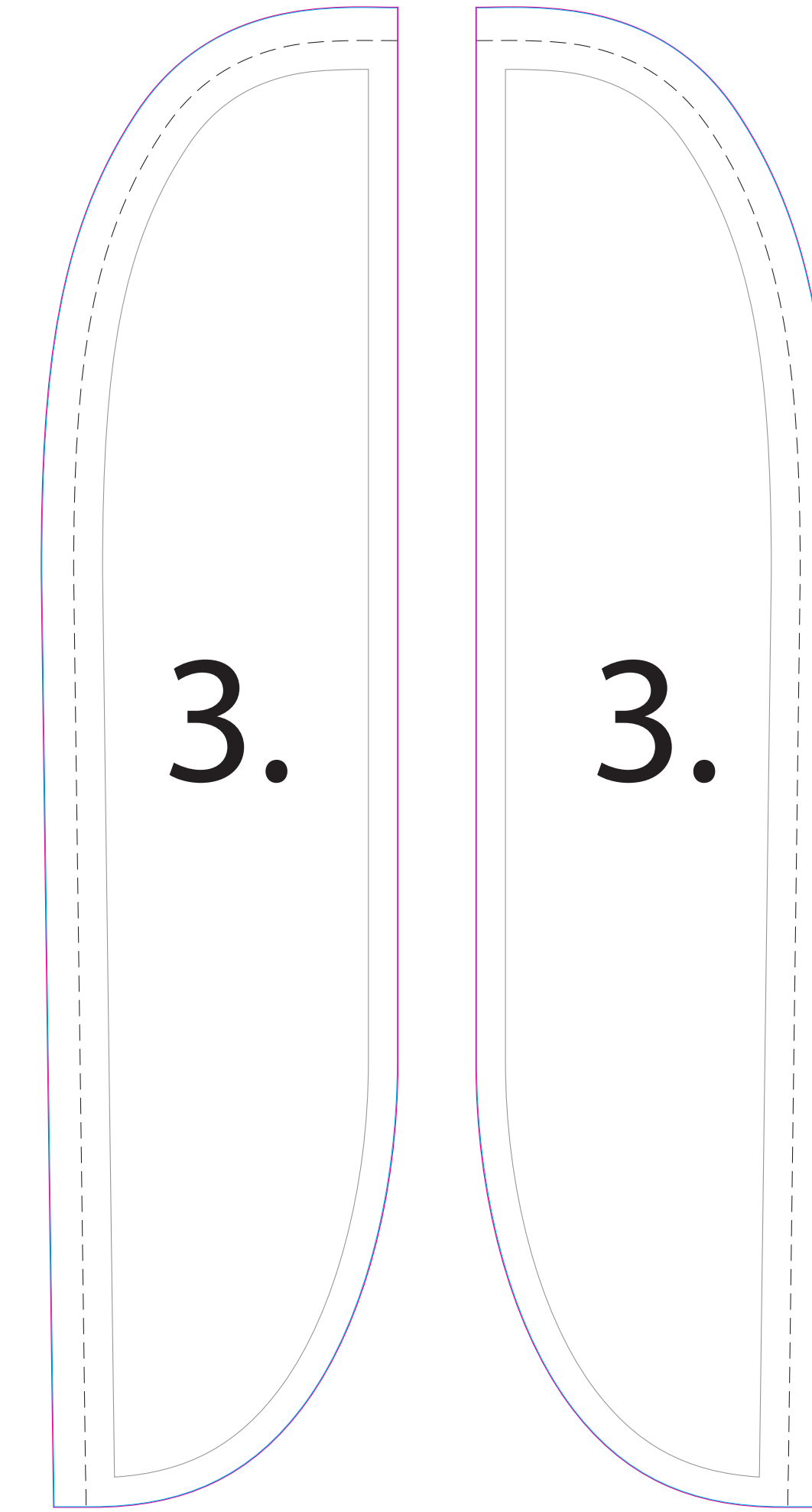
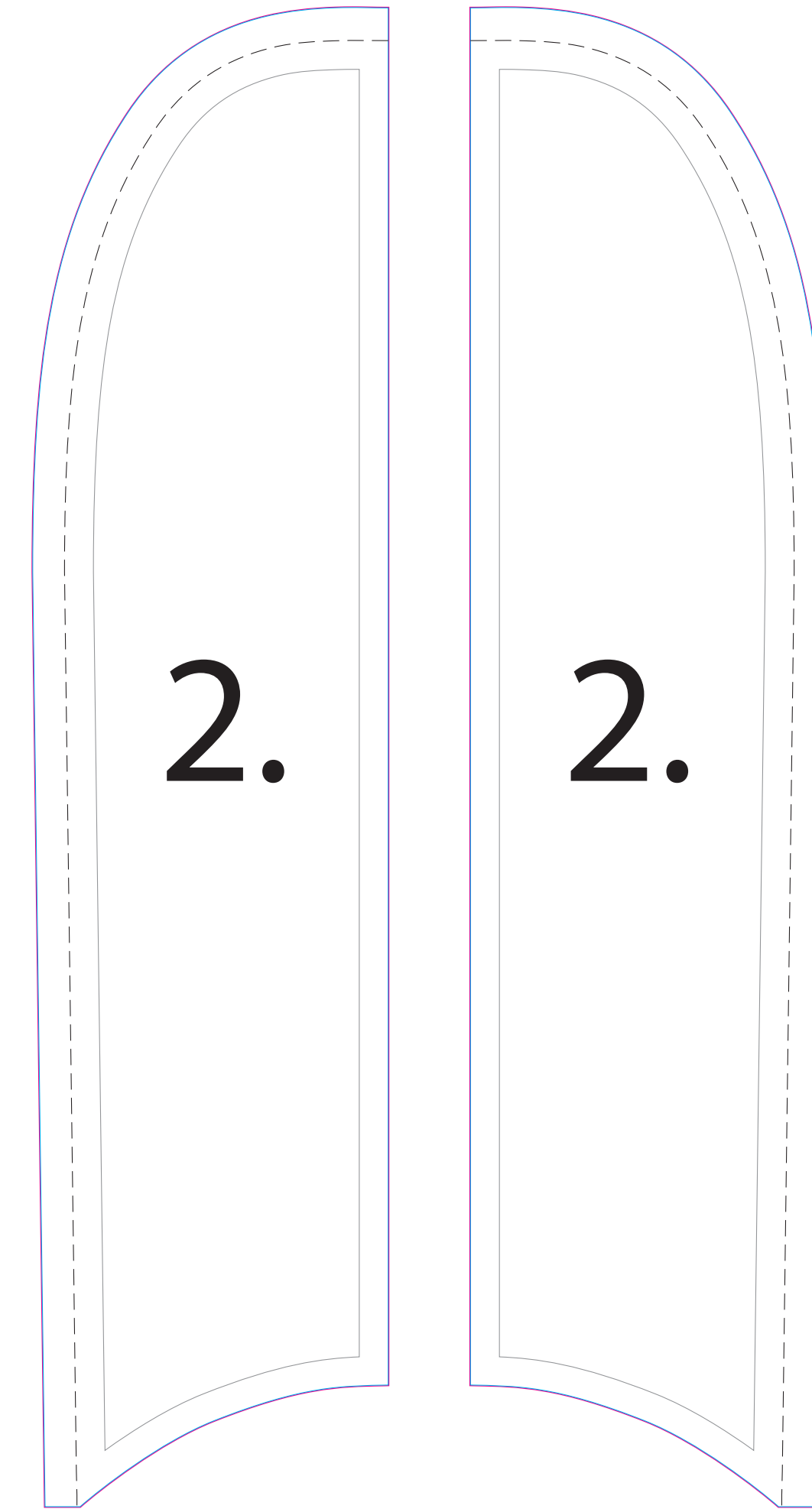
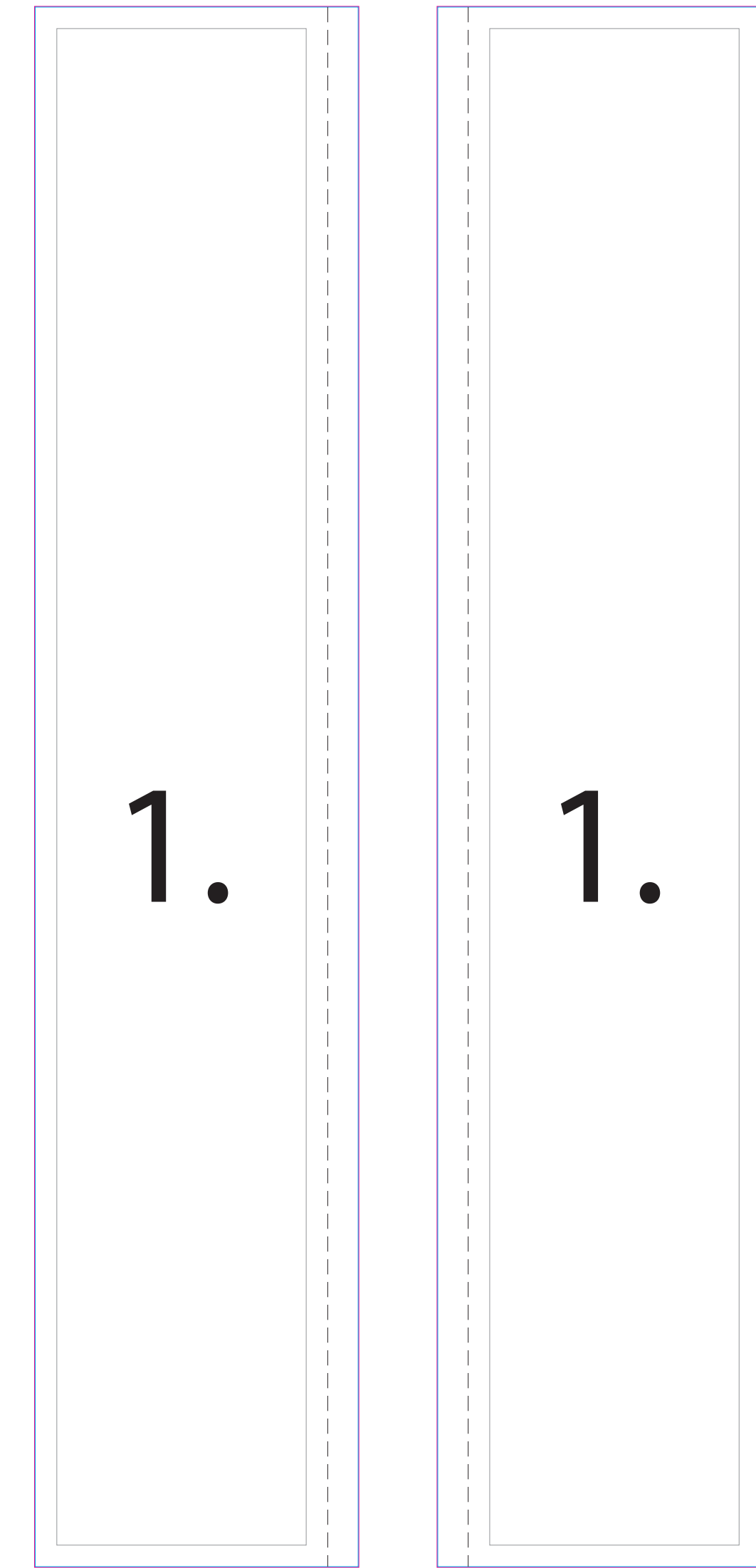


All templates are at 1:10 scale.

Please delete the templates not used.





All templates are at 1:10 scale.

Please delete the templates not used.



Bowflag® 100 & 200  
Medium BF200

1. Rectangle
2. Concave
3. Convex
4. Angled
5. Straight
6. Drop

-  = Text/Image Safety Line
-  = Bleed Line
-  = Finished Size
-  = Stitching Line

Rectangle  
2ft (60cm) x 9.5ft (290cm)

Flying Shapes  
2ft (60cm) x 8.5ft (260cm)

Drop  
3.1ft (95cm) x 6.7ft (205cm)

- All artwork needs to be:
- Images: 1000 dpi @ 1:10 ratio
  - Text: completely vectorized
  - CMYK color mode
  - Spot colors (PANTONE) defined
  - Appropriate bleed



Due to the inability to accurately reproduce some PANTONE® colors with CMYK inks, please reference a PANTONE® Color Bridge® book. This will provide a process color simulation for you to review.